

ZeeLung* 2.0 cassette

membrane aerated biofilm reactor (MABR)

description and use

The ZeeLung 2.0 cassette houses ZeeLung modules for simple installation in existing or new bioreactor tanks. The ZeeLung cassette includes the system connections required to connect ZeeLung technology to the plant aeration system.

When applied in a MABR process, the ZeeLung system delivers oxygen at four-times greater efficiency than conventional bubble aeration, resulting in significantly lower energy consumption for biological treatment.

dimensions

product	width, A mm (in)	length, B mm (in)	height, C ¹ mm (in)	height, D ² mm (in)
48M	1,745 (69)	2,112 (83)	3,061 (120)	500 (20)

- (1) aeration manifold is mounted above cassette frame; height of the manifold is project-specific and varies with tank liquid level
 (2) LEAP assembly is packaged separately and field mounted

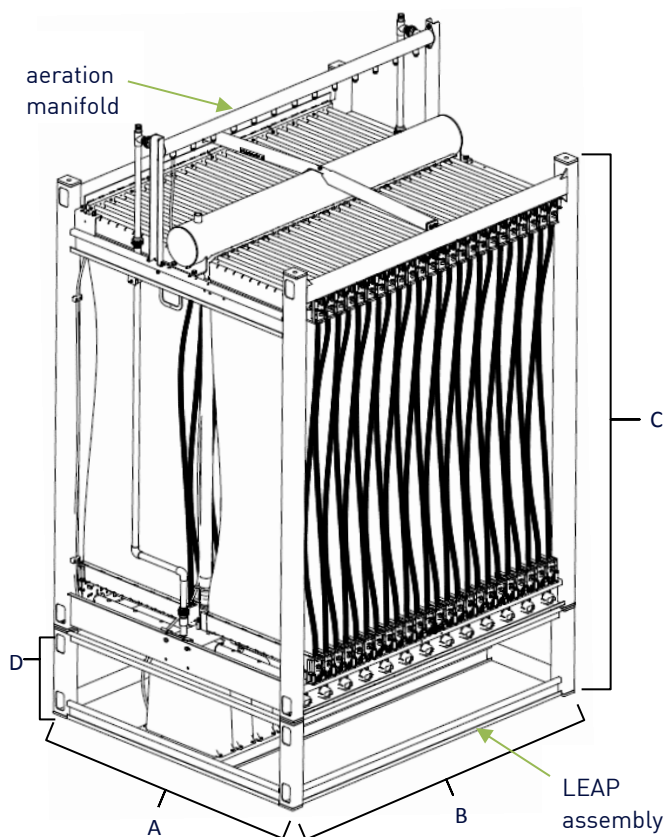
operating specifications

product	air flow Nm ³ /h (scfm)	air pressure at cassette kPa (psi)
48M	8-16 (4.7-9.5)	45-55 (6.5-8.0)

tie-points & weight

product	number of modules ³	system connections	maximum shipping weight ⁴ kg (lb)	maximum lifting weight ⁵ kg (lb)
48M	48	air: 1" NPT exhaust: 0.5" NPT condensate: 12 mm OD tube	cassette: 1,350 (3,000) LEAP assembly: 180 (400) under hook: 1,740 (3,840)	4,533 (10,000)

- (3) cassettes are available fully populated only
 (4) cassette & LEAP assembly include shipping crate; under hook includes cassette, LEAP assembly, typical supporting hardware and lifting bracket
 (5) includes cassette, LEAP assembly, typical supporting hardware, lifting bracket and biomass



Find a contact near you by visiting www.suezwatertechnologies.com and clicking on "Contact Us."

*Trademark of SUEZ; may be registered in one or more countries.

©2017 SUEZ. All rights reserved.